



**RF463707**  
**Vario freezer 400 series**  
**Fully integrated, panel ready, with ice and water dispenser**  
**Niche width 24" (61 cm)**  
**Left-hinged**



Stainless steel interior with solid anthracite aluminium elements  
 Warm white and glare-free LED light spots  
 Opening assist for door with two options:  
 1. Push-to-open function for integration into handleless furniture front  
 2. Pull-to-open function to facilitate opening the door using a handle  
 The drawers in the RC and RF models are positioned at the same height.  
 With side-by-side installation, the glass shelves and door racks can be aligned on the same level  
 Flat stainless steel inner door, full-length  
 Integrated automatic ice maker with fixed water connection  
 Proximity sensor for ice and water dispenser  
 Illuminated dispenser for ice cubes, crushed ice and chilled water  
 TFT touch display  
 Net volume 11.2 cu.ft. (318 litres)  
 Energy Star certified

**Operation**  
 TFT touch display operation.  
 Clear text display in 44 languages.  
 Touch key operation for ice and water dispenser.

**Technical Features**  
 Dynamic cold air distribution with Multi-Flow Air System.  
 Automatic defrosting with defrost water evaporation.  
 Cushioned door closing system.  
 Sabbath mode certified by Star-K.  
 When rest mode is active, the appliance can only be opened using a handle.  
 Open-door and malfunction warning system.  
 Home network integration for digital services (Home Connect) wireless via WiFi.  
 The use of the Home Connect functionality depends on the Home Connect services, which are not available in every country. For further information please check: home-connect.com.

**Freezer compartment**  
 No-frost technology with fast freezing at -22 °F.  
 Temperature adjustable from 3 °F to -11 °F.  
 4-star freezer compartment.  
 Freezing capacity 8.7 kg/24 h.  
 4 safety glass shelves, white glass, 2 of which are individually height adjustable.  
 2 fully extendable drawers with transparent front.

**Ice and water dispenser**  
 Warm white LED lighting.  
 Proximity sensor for automatic activation of light and touch keys for ice and water dispenser.  
 Integrated, with fixed inlet water connection.  
 Particle filter for water inlet, integrated in ventilation grille area.  
 Saturation indicator shown in TFT touch display.  
 Ice maker can be switched off independently.

**Product Features**  
**UPC code**  
 825225961161  
**Variant color**  
 Not applicable  
**Panel ready**  
**Installation Type**  
 N/A  
**Silence level**  
 42  
**Watts**  
 350  
**Fuse protection**  
 10  
**Volts**  
 110-120  
**Frequency**  
 60  
**Total annual energy consumption**  
 454.0  
**ENERGY STAR®**  
 Yes  
**Approval certificates**  
 CSA  
**Power Cord Length**  
 118,1"  
**Plug type**  
 120V-3 prong  
**Appliance dimensions (h x w x d) inch**  
 83 3/4 " x 23 3/4 " x 24"  
**Required cutout size (HxWxD) (in)**  
 84" x 24" x 24 3/4"  
**Appliance Width (in)**  
 23 3/4 "  
**Height (in)**  
 83 3/4 "  
**Depth (in)**  
 24"  
**Product packaging dimensions (HxWxD)**  
 84.25 x 27.36 x 29.92  
**Total unit gross capacity - AHAM**  
 11.2  
**Net weight**  
 334.000  
**Gross weight**  
 367.000

**Consumption and connection features**  
 2021-12-05  
 Page 1

Ice cube production approx. 2.9 lb (1.1 kg)/24 h.  
 Ice cubes and crushed ice.  
 Removable ice storage container with approx. 6.6 lbs. (3.2 kg) capacity.  
 Chilled water supply approx. 1.3 litres.

**Consumption data**  
 Energy consumption 453.98 kWh/year.  
 Noise level 42 dB (re 1 pW).

**Planning notes**  
 Flat hinge.  
 Door opening angle of 115°, fixable at 90°.  
 Max. door panel weight 147 lbs. (67kg).  
 Shut-off valve for water connection must be planned next to the appliance and always be accessible.  
 If the water pressure exceeds 116 psi, connect pressure relief valve between water tap and hose set.

**Rating**  
 Total rating 1.079 kWh/24 h.  
 Total Amps: 10 A.  
 Connecting cable 118" (3.0 m), detachable.  
 Cold water connection required.  
 Electrical location 6" above ground in lower left corner of unit.  
 Supply hose 47,2 INCH (1.2 m) with 1/4" male compression fitting (standard icemaker connector).  
 Water pressure 29 to 116 psi.

**Color Variants**  
**RF463707**  
**Fully integrated, panel ready, with ice and water dispenser**  
**Niche width 24" (61 cm)**

**Included accessories**  
 1 x connection set.

**Optional accessories**  
**RA450022**

**Installation Accessories**  
**RA422611**  
 Stainless steel door panel with handle  
**RA423140**  
**RA425110**  
 Long stainless steel door handle  
**RA428811**  
 Stainless steel door panel, handleless  
**RA460012**  
**RA460020**  
 Connecting element for vertically split appliance fronts (for a flush front)  
**RA464618**  
 Ventilation grill, stainless steel

RF463707

Vario freezer 400 series

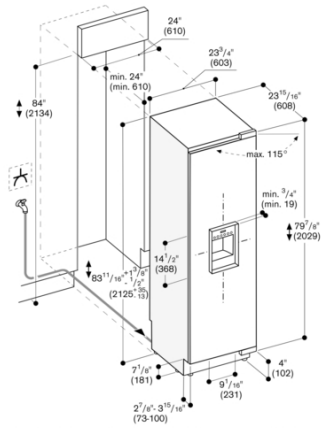
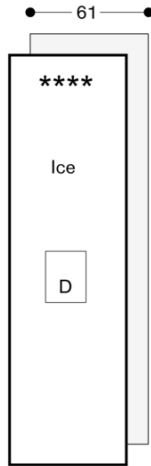
Fully integrated, panel ready, with ice  
and water dispenser

Niche width 24" (61 cm)

Left-hinged

2021-12-05

Page 2



The maximum door front dimensions are based on a clearance of 24mm.

**GAGGENAU**